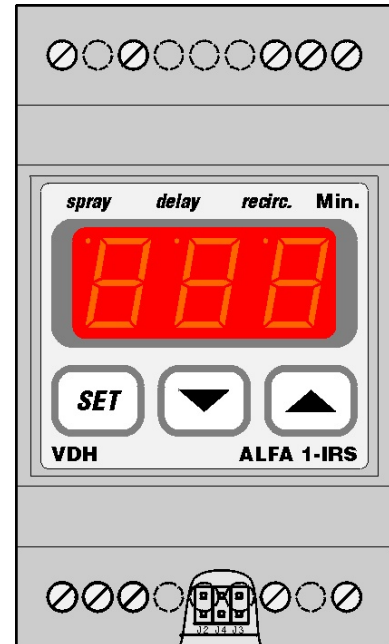


# User manual ALFA 1-IRS and ALFANET 1-IRS

## Rail mounting airflow detector.



VDH doc: 071727

Version: v1.2

Date: 09-03-2016

Software: 060721\_ALFA 1-IRS

File: Do071727.wpd

Range: 0/99 min.

### \* Installation.

On the topside of the **ALFA(NET) 1-IRS** is shown how the input, power supply and relay have to be connected.

### \* Function.

After connecting the **ALFA(NET) 1-IRS** to the power supply, the led 'recirc' will light-up (= recirculation position), unless the airflow detector detects an airflow.

As soon as an airflow is detected, the relay will be energized (P02=0) and the led 'spray' in the display (=spray position) will light-up.

With parameter P02 it is possible to reverse the relay function.

With parameter P03 the switch-on delay is set for the relay (0..10 seconds), the detection must be active for at least this time to start.

If the airflow stops the delay-timer will start, the led 'delay' lights-up and the remaining delay time is shown on the display. After the delay time has passed, the relay will be de-energized and the led 'recirc.' lights-up. The controller is ready for the next spray cycle.

### \* Manual mode.

The **ALFA(NET) 1-IRS** has also a manual mode. By pushing the **UP** and **DOWN** keys simultaneous (**UP** key first and than the **DOWN** key) the spray detector comes into the manual mode. The display shows "hnd" and the relay is energized. By pushing **UP** + **DOWN** again, the manual mode will switch off.

### \* Controlling.

The **ALFA(NET) 1-IRS** airflow detector can be controlled by three push buttons on the front.

These buttons are:

- SET** - view / change the set point.
- UP** - raise the value.
- DOWN** - lower the value.



\* **Viewing the adjusted delay time.**

By pushing the **SET** key the adjusted delay time is shown. Also the led 'delay' starts flashing. A few seconds after releasing the **SET** key, the delay time disappears and the position from the controller is visible again.

\* **Changing the delay time.**

Push the **SET** key and the delay time appears in the display. Release the **SET** key. Now push the **SET** key again and together with the **UP** or **DOWN** keys the delay time can be changed. A few seconds after releasing the keys position from the controller is visible again

\* **Setting internal parameters.**

By pushing the **DOWN** key more than 10 seconds, you enter the 'internal programming menu'. In the left display the upper and lower segment are blinking.

Over the **UP** and **DOWN** keys the required parameter can be selected (see table for the parameters). If the required parameter is selected, the value can be read-out by pushing the **SET** key. Pushing the **UP** or **DOWN** keys together with the **SET** key allows you to change the value of this parameter.

If after 20 seconds no key is pushed, the **ALFA(NET) 1-IRS** changes to it's normal operation mode.

\* **Parameter tabel.**

Parameter	Description parameter	Range	Standard value
01	Selection unit of time Min./Sec. 0 = Minuts, 1 = Seconds	0..1	0
02	Working air flow detector 0 = Normal, 1 = Reverse	0..1	0
03	Switch-on delay-time relay	0..10 seconds	0
90	Network number (only at ALFANET)	1..250	1
95	Software version	0..255	-
96	Production year	00..99	-
97	Production week	1..52	-
98	Serial number (x1000)	0..255	-
99	Serial number (units)	0..999	-



\* **Error messages.**

In the display of the **ALFA 1-IRS** the following error messages can appear:

- EE** - Settings are lost.  
Solution: - Reprogram the settings.

\* **Technical details.**

**ALFA 1-IRS Airflow detector**

- Mounting : DIN Rail mounting  
Dimensions : 90 x 53 x 58mm (hwd)  
Panel hole : 46 x 53mm (wb)

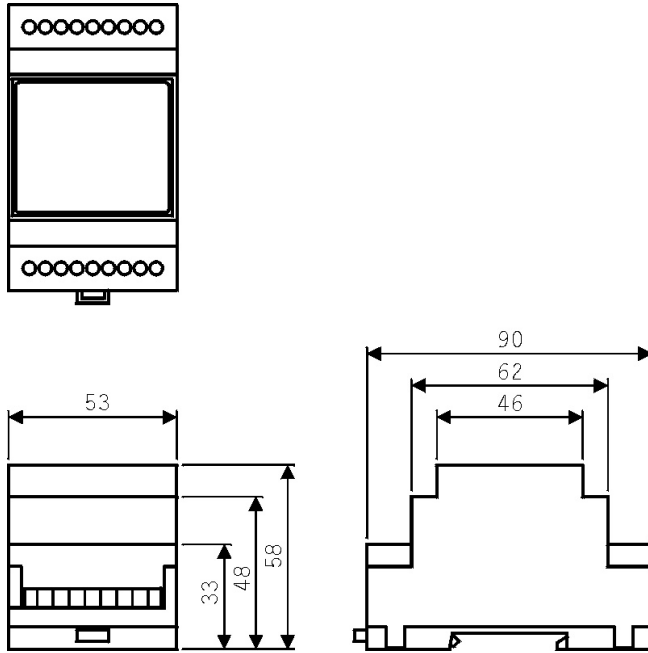
**Common:**

- Supply : 230 Vac / 1,2VA 50/60Hz (Or else, see product sticker)  
Relay : SPDT 250V/16A(C-NO), 8A(C-NC) (cos phi=1)  
Control : through push buttons on the front.  
Front : Polycarbonate  
Range delay time : 0/+99 minuts( or seconds)  
Sensor : IRS-sensor (approach switch)  
Communication (Option) : RS485 Network (A,B,Gnd: 2x twisted pair shielded min. 0,5mm<sup>2</sup>)

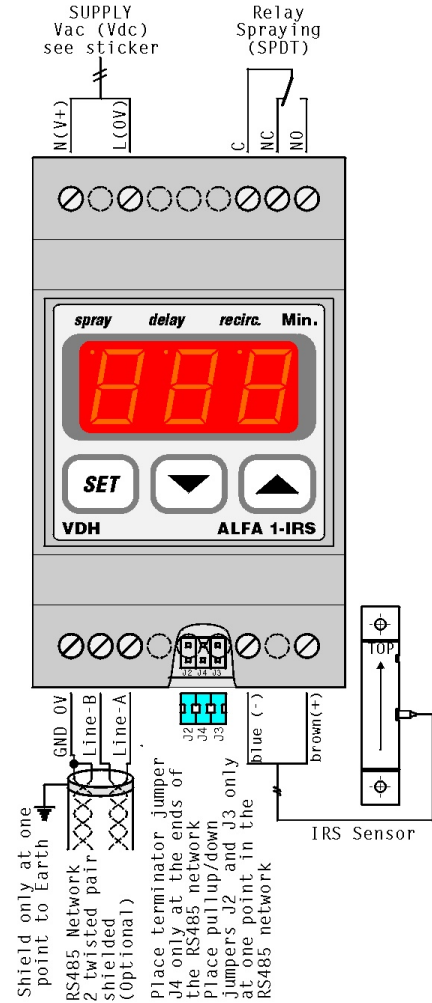
- Provided with memory protection during power failure.
- Connection with screw terminals on top and bottom side.
- Special version on request available.



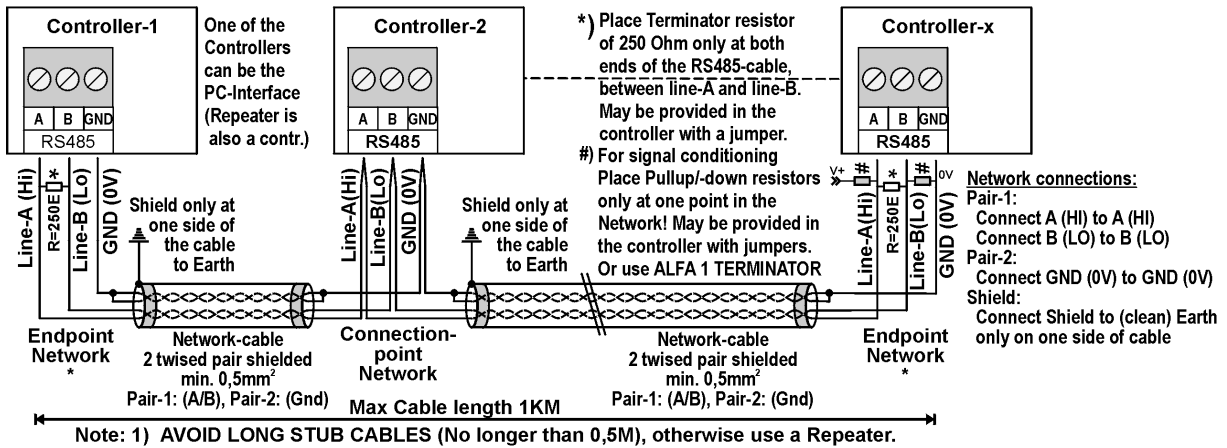
**\* Dimensions.**



**\* Connections.**



**RS 485 NETWORK CONNECTIONS 2-twisted pair shielded cable:**



**\* Address.**

VDH Products BV  
 Produktieweg 1  
 9301 ZS Roden  
 Netherlands

Tel: +31 (0)50 - 30 28 900  
 Fax: +31 (0)50 - 30 28 980  
 Email: info@vdhproducts.nl  
 Internet: www.vdhproducts.nl

