

# User manual

## ALFA 7X-SC

### Set point Controller



VDH doc: 080595

Version: v1.0

Date: 24-04-2008

Software: ALFA7X-SC (053307)

File: Do080595.WPD

Range: 0/+100%

#### \* Application.

The **ALFA 7X-SC** is an eight channel set point controller with an output from 0-10Vdc. With the means of three digital inputs (BCD) a choice can be made from eight set points, which have their own output value. This value can be adjusted in the parameter menu. It is also possible to set a range in which this output can be adjusted with **UP** and/or **DOWN** keys. The adjusted set point will be stored even when another set point is chosen or the power supply is switched off. This set point controller can be used for frequency-controllers with a 0-10Vdc input.

#### \* Installation.

On the upper side of the **ALFA 7X-SC** is shown how the inputs, power supply and output should be connected.

A self test is started after the **ALFA 7X-SC** is connected to the power supply. After the self test is completed, the number from the chosen set point appears on the display.

#### \* Display.

With parameter P85 a choice can be made from two different ways of showing the chosen set points.

P85=0: 8 Set points called 'S-1' till 'S-8' or

P85=1: Spray/Dry each with 4 Set points 'S-1'till 'S-4' for spraying and 'd-1'till 'd-4' for drying, whereby input Dig.in-3 will be used for the selection for spraying or drying.

#### \* Control.

The **ALFA 7X-SC** set point controller can be controlled with four push buttons on the front:

- |             |   |
|-------------|---|
| <b>SET</b>  | - viewing /changing the set point.  |
| <b>UP</b>   | - raising the value.  |
| <b>DOWN</b> | - lowering the value.   |
| <b>%</b>    | - hidden key above the <b>SET</b> key, gives the deviation in % compared with the original set point (as adjusted in the parameter list). |

#### \* Viewing the value of the current set point.

By pushing the **SET** key for a short time the current value from the inputs will be shown on the display. A few seconds after releasing the keys the value disappears and the number from the chosen set point will be visible again.





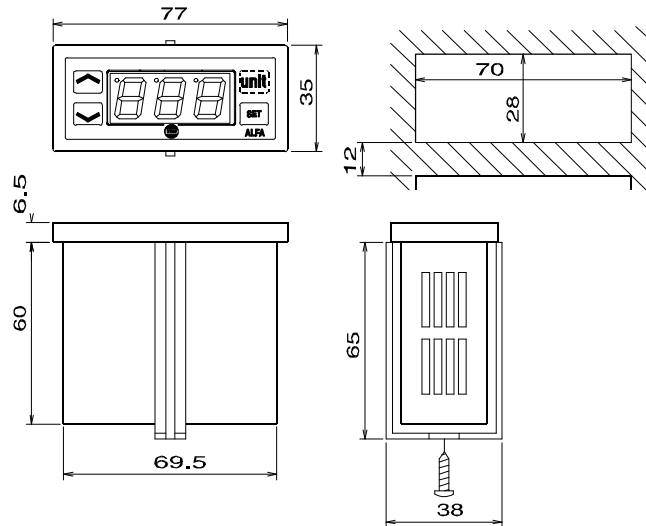
\* **Parameters ALFA 7X-SC**

Para-Meter	Description Parameter	Range	Default value
01	Set point 1 value	0...100%	0,0
02	Set point 2 value	0...100%	10,0
03	Set point 3 value	0...100%	25,0
04	Set point 4 value	0...100%	33,0
05	Set point 5 value	0...100%	50,0
06	Set point 6 value	0...100%	66,0
07	Set point 7 value	0...100%	75,0
08	Set point 8 value	0...100%	100,0
09	Set points back to default value (Changing to 1 resets value)	0...1	0
10	Set point-1 0% adjustment	0...10Vdc	0,0
11	Set point-1 100% adjustment	0...10Vdc	10,0
12	Set point-1 upper limit regulating	0..+100%	5,0
13	Set point-1 lower limit regulating	0..+100%	5,0
20	Set point-2 0% adjustment	0...10Vdc	0,0
21	Set point-2 100% adjustment	0...10Vdc	10,0
22	Set point-2 upper limit regulating	0..+100%	5,0
23	Set point-2 lower limit regulating	0..+100%	5,0
30	Set point-3 0% adjustment	0...10Vdc	0,0
31	Set point-3 100% adjustment	0...10Vdc	10,0
32	Set point-3 upper limit regulating	0..+100%	5,0
33	Set point-3 lower limit regulating	0..+100%	5,0
40	Set point-4 0% adjustment	0...10Vdc	0,0
41	Set point-4 100% adjustment	0...10Vdc	10,0
42	Set point-4 upper limit regulating	0..+100%	5,0
43	Set point-4 lower limit regulating	0..+100%	5,0
50	Set point-5 0% adjustment	0...10Vdc	0,0
51	Set point-5 100% adjustment	0...10Vdc	10,0
52	Set point-5 upper limit regulating	0..+100%	5,0
53	Set point-5 lower limit regulating	0..+100%	5,0
60	Set point-6 0% adjustment	0...10Vdc	0,0
61	Set point-6 100% adjustment	0...10Vdc	10,0
62	Set point-6 upper limit regulating	0..+100%	5,0
63	Set point-6 lower limit regulating	0..+100%	5,0
70	Set point-7 0% adjustment	0...10Vdc	0,0
71	Set point-7 100% adjustment	0...10Vdc	10,0
72	Set point-7 upper limit regulating	0..+100%	5,0
73	Set point-7 lower limit regulating	0..+100%	5,0
80	Set point-8 0% adjustment	0...10Vdc	0,0
81	Set point-8 100% adjustment	0...10Vdc	10,0
82	Set point-8 upper limit regulating	0..+100%	5,0
83	Set point-8 lower limit regulating	0..+100%	5,0
85	Set point display choice 0 = 8 Set points S-1 till S-8 1 = 4 Spray set points S-1 till S-4 and 4 Dry set points d-1 till d-4	0..1	0
95	Software version	0..255	0
96	Production year	00..99	0
97	Production week	1..52	1
98	Serial number (x1000)	0..255	0
99	Serial number (units)	0..999	0

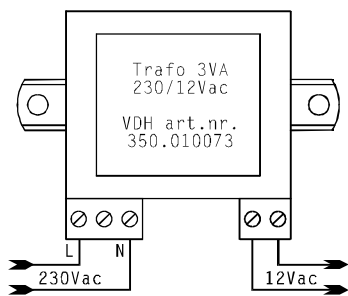
(c) VDH Products BV



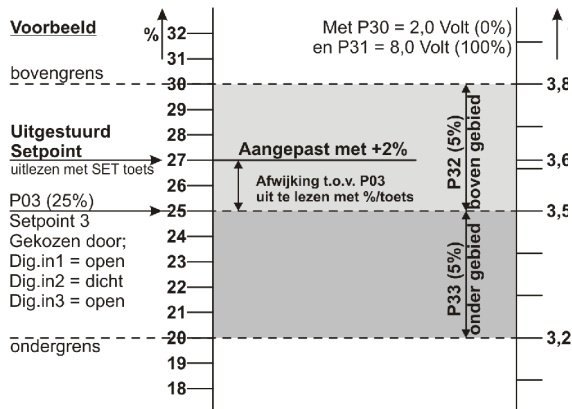
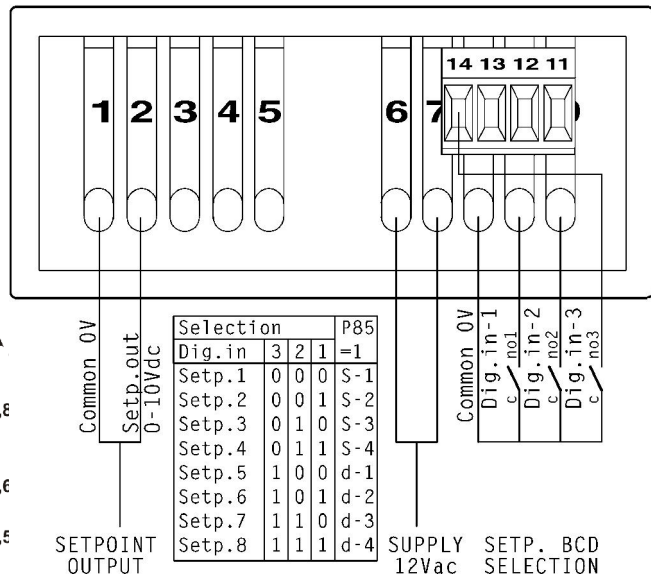
\* **Dimensions.**



\* **Connections.**



**ALFA 7X-SC**



\* **Address.**

VDH Products BV  
 Produktieweg 1  
 9301 ZS Roden  
 Nederland

Tel: +31 (0)50 - 30 28 900  
 Fax: +31 (0)50 - 30 28 980  
 Email: info@vdhproducts.nl  
 Internet: www.vdhproducts.nl

