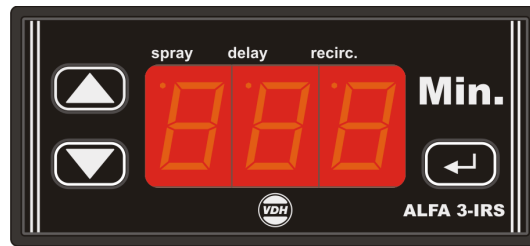


User Manual ALFA(NET) 3-IRS Spraydetector



VDH doc. 080028

Version: v1.0

Date: 09-01-2008

Software: 060721_ALFA(NET) 3-IRS

File: Do080028.wpd

Range: 0/99 Minutes

* Installation.

On the topside of the **ALFA(NET) 3-IRS** is shown how the input, power supply and relay have to be connected. The **ALFANET 3-IRS** has a RS 485 network connection so it can be read out and adjusted on the Alfanet.

* Function.

After connecting the **ALFA(NET) 3-IRS** to the power supply, the led 'recirc' will light-up (= recirculation position), unless the airflow detector detects an airflow.

As soon as an airflow is detected, the relay will be energized (P02=0) and the led 'spray' in the display (=spray position) will light-up. With parameter P02 it is possible to reverse the relay function.

If the airflow stops the delay-timer will start, the led 'delay' lights-up and the remaining delay time is shown on the display. After the delay time has passed, the relay will be de-energized and the led 'recirc.' lights-up. The controller is ready for the next spray cycle.




* Manual mode.

The **ALFA(NET) 3-IRS** has also a manual mode. By pushing the **UP** and **DOWN** keys simultaneous (**UP** key first and than the **DOWN** key) the spray detector comes into the manual mode. The display shows "hnd" and the relay is energized. By pushing **UP + DOWN** again, the manual mode will switch off.

* Controlling.

The **ALFA(NET) 3-IRS** airflow detector can be controlled by three push buttons on the front.

These buttons are:

-  **SET** - view / change the set point and reset alarm.
-  **UP** - raise the value.
-  **DOWN** - lower the value.



* **Viewing the adjusted delay time.**

By pushing the **SET** key the adjusted delay time is shown. Also the led 'delay' starts flashing. A few seconds after releasing the **SET** key, the delay time disappears and the status of the controller is visible again.

* **Changing the delay time.**

Push the **SET** key and the delay time appears in the display. Release the **SET** key.

Now push the **SET** key again and together with the **UP** or **DOWN** keys the delay time can be changed. A few seconds after releasing the keys, the status of the controller is visible again.

* **Setting internal parameters.**

By pushing the **DOWN** key more than 10 seconds, you enter the 'internal programming menu'. In the left display the upper and lower segment are blinking.

Over the **UP** and **DOWN** keys the required parameter can be selected (see table for the parameters).

If the required parameter is selected, the value can be read-out by pushing the **SET** key. Pushing the **UP** or **DOWN** keys together with the **SET** key allows you to change the value of this parameter.

If after 20 seconds no key is pushed, the **ALFA(NET) 3-IRS** changes to it's normal operation mode.

* **Parameter tabel.**

| Parameter | Description parameter | Range | Standard value |
|-----------|--|--------|----------------|
| 01 | Selection unit of time Min./Sec. 0 = Minutes, 1 = Seconds | 0..1 | 0 |
| 02 | Working air flow detector 0 = Normal, 1 = Reverse | 0..1 | 0 |
| 90 | Network number (only at ALFANET) | 1..250 | 1 |
| 95 | Software version | 0..255 | - |
| 96 | Production year | 00..99 | - |
| 97 | Production week | 1..52 | - |
| 98 | Serial number (x1000) | 0..255 | - |
| 99 | Serial number (units) | 0..999 | - |



* **Error messages.**

In the display of the **ALFA 3-IRS** the following error messages can appear:

- EE** - Settings are lost.
Solution: - Reprogram the settings.

* **Technical details.**

ALFA 3-IRS Airflow detector

| | | |
|------------|---|-------------------------|
| Mounting | : | Panel mounting |
| Dimensions | : | 35 x 77 x 71,5 mm (hwd) |
| Panel hole | : | 28 x 70 mm (wb) |

Common:

| | | |
|------------------------|---|--|
| Supply | : | 230 Vac / 1,2VA 50/60Hz (Or else, see product sticker) |
| Relay | : | SPDT 250V/16A(C-NO), 8A(C-NC) (cos phi=1) |
| Control | : | through push buttons on the front. |
| Front | : | Polycarbonate |
| Range delay time | : | 0/+99 minutes(or seconds) |
| Sensor | : | IRS-sensor (approach switch) |
| Communication (Option) | : | RS485 Network (A,B,Gnd: 2x twisted pair shielded min. 0,5mm ²) |

- Provided with memory protection during power failure.
- Connection with screw terminals on top and bottom side.
- Special version on request available.

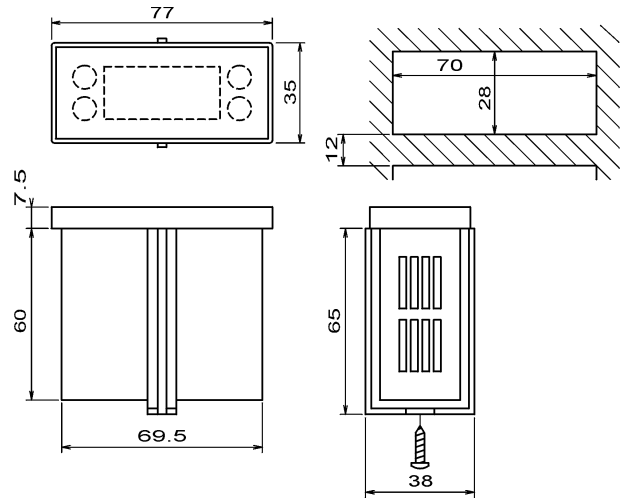
* **Adress.**

VDH Products BV
Produktieweg 1
9301 ZS Roden
Netherlands

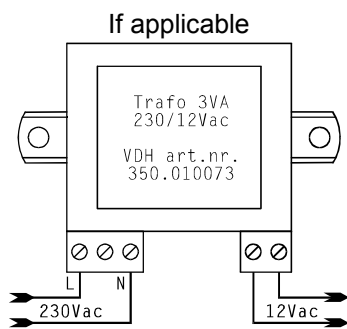
Tel: +31 (0)50 - 30 28 900
Fax: +31 (0)50 - 30 28 980
Email: info@vdhproducts.nl
Internet: www.vdhproducts.nl



*** Dimensions.**

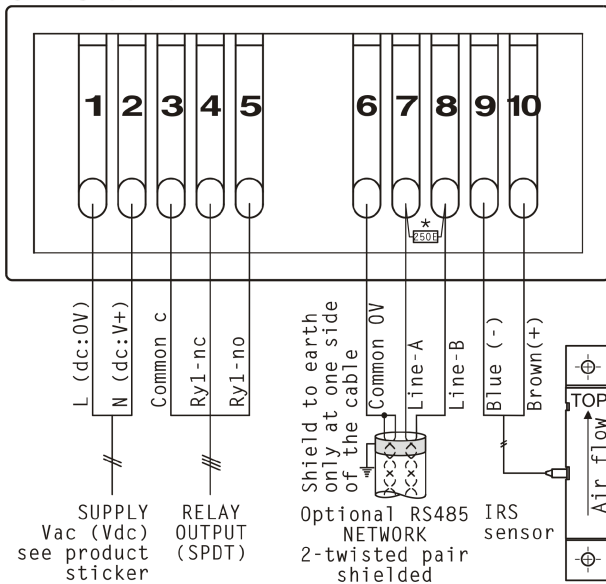


*** Connections.**



**ALFA(Net)
3-IRS serie**

*)REMARK: To terminate RS485-Network
Connect a 250 Ohm resistor between
Line-A and Line-B at both cable-ends



RS 485 NETWORK CONNECTIONS 2-twisted pair shielded cable:

