



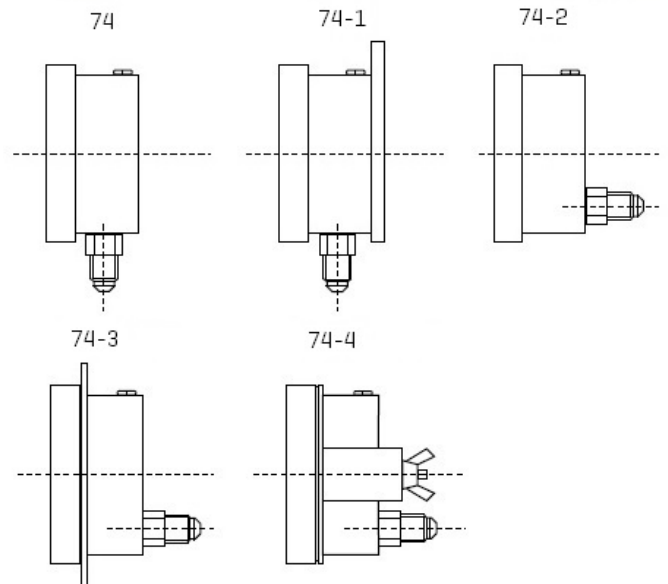
In control.

74 serie pressure gauge

Technical description:

Type:	74
Design:	NEN-EN 837-1:1997
Case:	Stainless steel 304
Dimensions:	See dimension table below
Sealing:	Bayonet catch, rubber ring on broad profile
Window:	Unbreakable macrolon
Element:	Phosphor bronze
Dial:	White aluminium, pressure scale in black. Company logo possible
Connection:	Brass, possible connections: 1/4"FL, 1/4"BSP, 1/2"BSP, 1/4"NPT, 1/2"NPT,
Transmission:	Brass with nickel silver
Range:	-1 to maximum 60 bar
Accuracy:	ø 63mm class 1,6 ø 100mm class 1.0 ø 160mm class 1.0
Filling liquid:	Glycerine
Options:	Low pressure system, range < 0,6 Bar Calibration certificate Identificationnumber on case or scale

Available models:



74, bottom connection

74/1, bottom connection with back side flange

74/2, back side connection

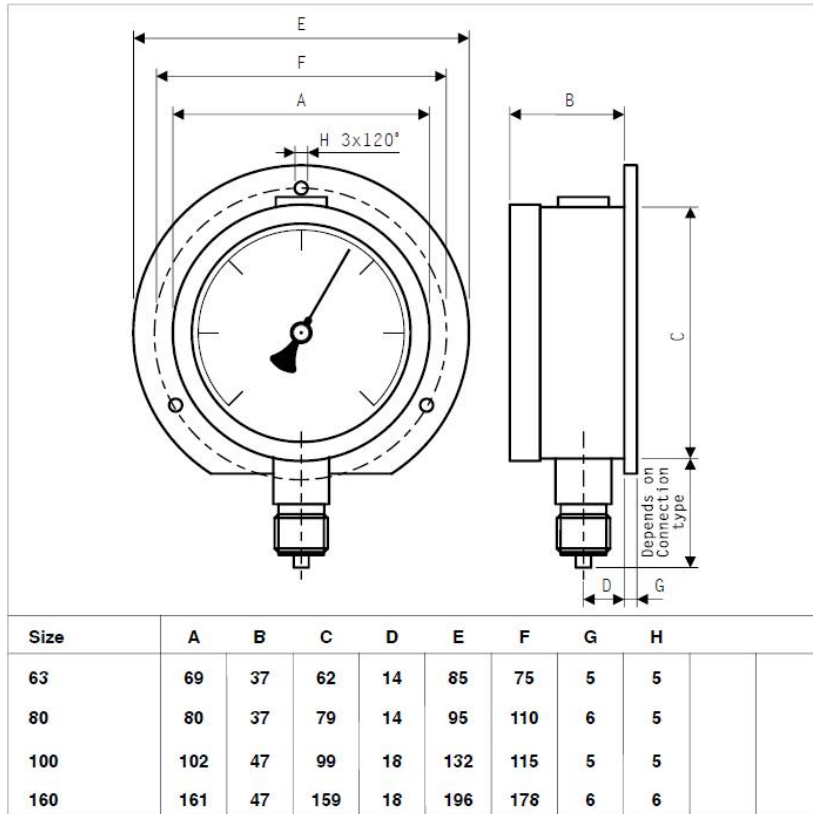
74/3, back side connection with front flange

74/4, back side connection with panel mount bracket

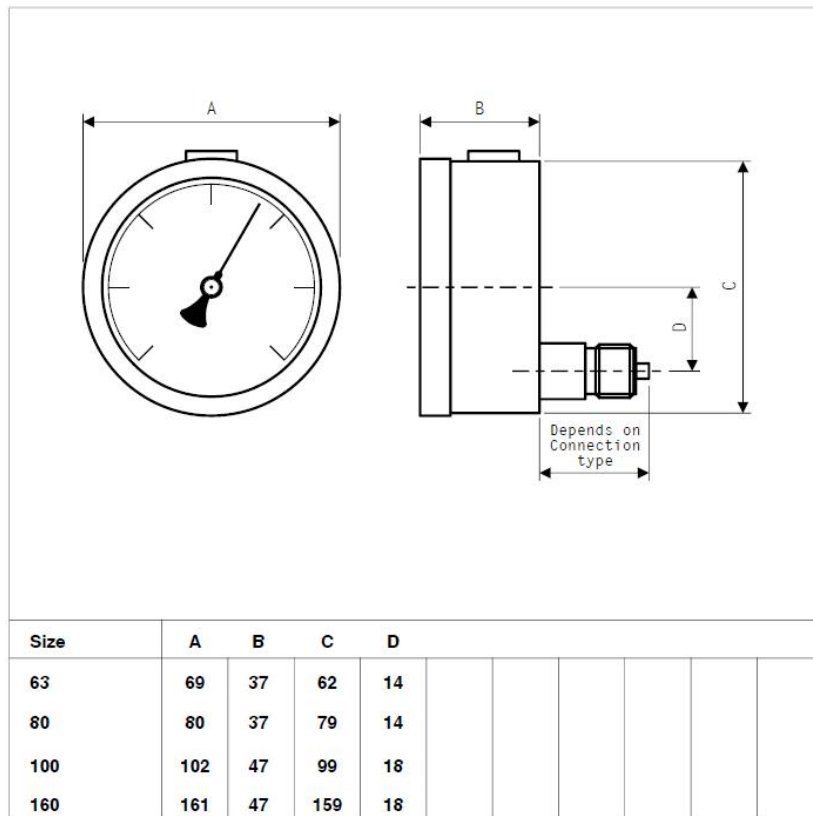


In control.

74, 74/1 dimensions in mm:



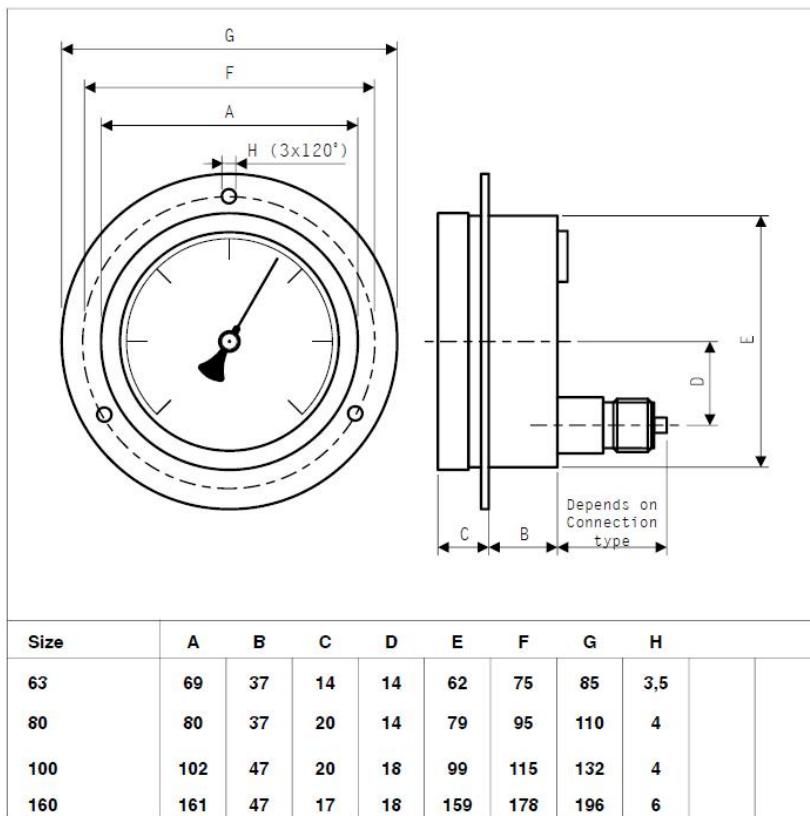
74/2 dimensions in mm:





In control.

74/3 dimensions in mm:



74/4 dimensions in mm:

